

GSLU-ELAN Swing Lift-Up Stay

Lift-up opening

Opening Direction	Description	Item Name	Door Width	Door Height	Door Weight※
 Lift-Up	Lift-assist Free stop Soft-close	GSLU-ELAN-S4	Max. 1800	390~500	5~6.5 kg
		GSLU-ELAN-L4			6.5~8 kg
		GSLU-ELAN-M4			8~9.5 kg
		GSLU-ELAN-H4			9.5~11 kg

Features

- Patented mechanism controls door opening and closing softly and smoothly
 - Door can be opened with a slight force (see Fig.1)
 - Door can be stopped in any position (see Fig.2)
 - Door closes slowly even if you release your hands from the door (see Fig. 3)
- Door can be opened and closed smoothly regardless of handle position
- Installed on the bottom of cabinet top board for maximum space inside the cabinet, not affecting the shelf mounting
- Installation position of the main body can be easily determined (see Fig.4)
- Mounting plate can be quickly attached to the main body (see Fig.5)
- Passed 30,000 life cycle test

Notes

- Operating temperature: 0°C - 40°C
- Use in pairs
- 1 connecting bar (sold separately) required for 1 set of stay
- Never push down arm of single stay before installation
- Do not open the door further in fully opened position

Parts Included

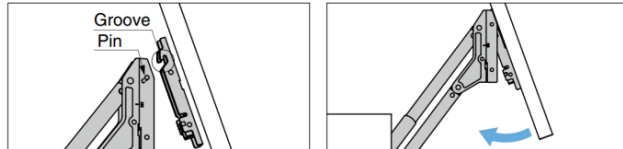
- Mounting plate (2 pcs)
- Guide plate (2 pcs)
- Countersunk head tapping screw 3.5×38 (6 pcs) for main body
- Binding head tapping screw 3.5×15 (6 pcs) for mounting plate

Sold Separately

- Connecting bar GELB

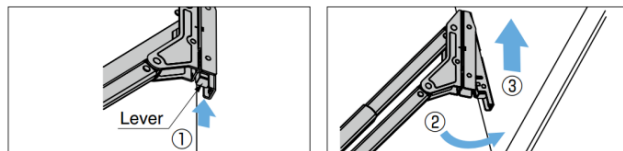
Installation and Removal of Door (Fig. 5)

● Installation of door

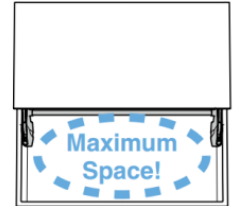


Hang the groove at the tip of mounting plate on the pin of main body, and then push the door along the arrow with a click feeling.

● Removal of door



Lift the door along ② arrow while pushing the lever along ① arrow, and then move the door along ③ arrow to detach.



3 Functions in 1 Stay

● Lift-assist

Can open the door with a slight force.



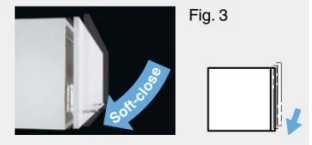
● Free stop

Door can be stopped in any position.
※The operating range varies slightly depending on the door size and weight.

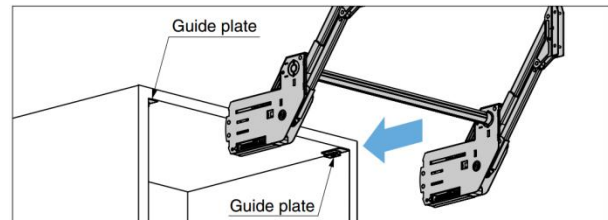


● Soft-close

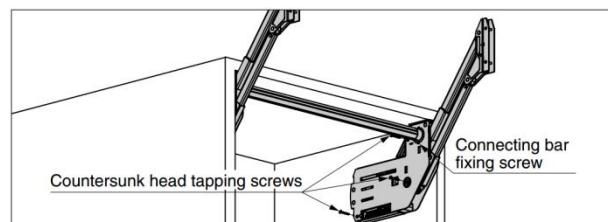
Door closes slowly even if you release your hands from the door.
※The operating range varies slightly depending on the door size and weight.



Easy Installation (Fig. 4)

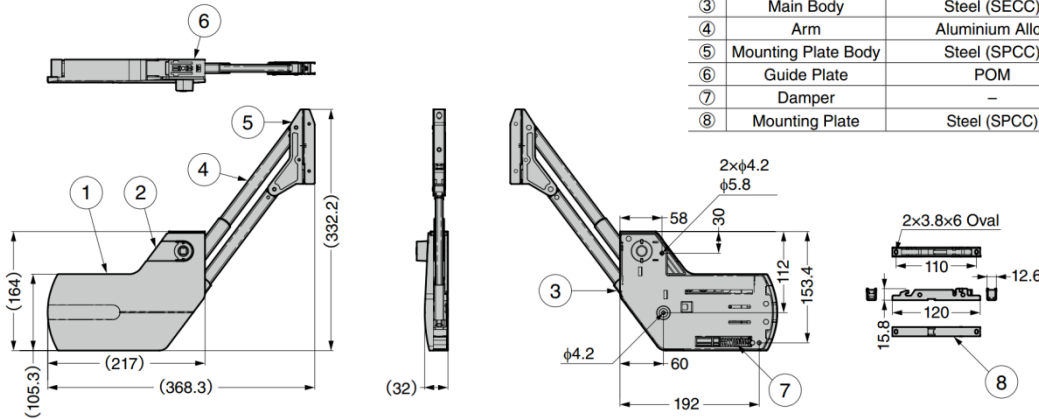


Install on left and right sides of top board bottom after aligning the guide plate with internal surface and edge of cabinet. Installation position is determined by inserting the main body with the main body and connecting bar temporarily assembled.

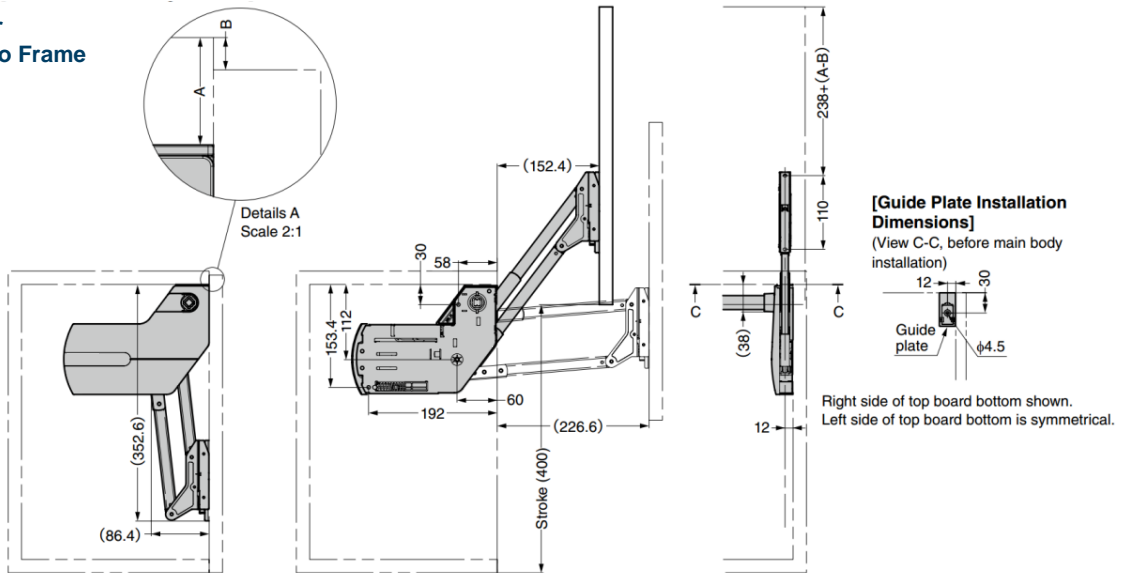


Fix the main body to cabinet with countersunk head tapping screws (included). Tighten connecting bar fixing screws (left and right sides).

No.	Part Name	Material	Finish/Colour
①	Body Cover	ABS	Light Grey
②	Side Cover		
③	Main Body	Steel (SECC)	–
④	Arm	Aluminium Alloy	Anodised
⑤	Mounting Plate Body	Steel (SPCC)	Nickel
⑥	Guide Plate	POM	Dark Grey
⑦	Damper	–	–
⑧	Mounting Plate	Steel (SPCC)	Nickel



Bracket for Installing to Frame



For vertical continuous doors, the gap from upper door should be 3mm or more (for door thickness 16–22mm).

Main Body

Part No.	Material	Finish	Door Width	Door Height ¹	Door Weight ²
GSLU-ELAN-S4	Steel / ABS	Nickel/ Light Grey	Max. 1800	390 ~ 500	5 ~ 6.5 kg
GSLU-ELAN-L4					6.5 ~ 8 kg
GSLU-ELAN-M4					8 ~ 9.5 kg
GSLU-ELAN-H4					9.5 ~ 11 kg

¹ Cabinet inside height is min. 360 mm

² Door weight includes handle

Connecting Bar (Sold Separately)

Part No.	Material	Finish	Cabinet Inside Width ³
GELB-480	Aluminium Alloy	Anodised	556 ~ 566
GELB-780			856 ~ 866
GELB-1080			1156 ~ 1166
GELB-1380			1456 ~ 1466
GELB-1680			1756 ~ 1766

³ For other cabinet inside widths, the bar can be cut on site (connecting bar length = cabinet inside width – 80 mm)